



SPECIFICATIONS

1 General

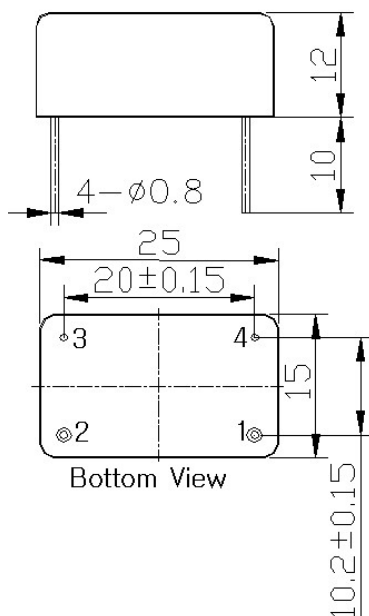
Part Number	Description
10M003B50	10MHz Crystal filter, DIP package

2 Revision History

Revision	Released	Revision Detail
R1	2020-4-23	Initial release

3 Electrical Specification

Item	Typical
Central Frequency (Fc, MHz)	10
Insertion Loss (dB)	8.5
Bandwidth with -3.0dB (Hz)	300
Ripple Within Pass Band (dB)	1.0
Bandwidth at -40 dB Attenuation (Hz)	1500
I/O Impedance (Ω)	50
Operation Temperature ($^{\circ}\text{C}$)	-20 ~ +70
Storage Temperature ($^{\circ}\text{C}$)	-40 ~ +80
Package Size (mm)	25x15x12



Pin No.	Description
1	Input/Output
2	Output/Input
3,4	Ground

Unit:mm